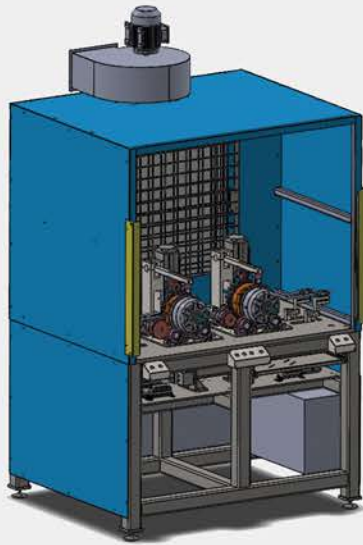


# ROBOTIC PAINTING MACHINE

Robotic Painting Machine is designed for painting various types of parts and components with its 6 DOF robot communication software and universal component fixtures.



PAINTING PARTS &  
COMPONENTS WITH  
**6 DOF  
ROBOT  
COMMUNICATION  
SOFTWARE**

## SYSTEM FEATURES

- 6 DOF robot control & communication
- Two component painting at the same bench
- 2 independent servo motor speed & position control for precise painting
- Ventilation and filter system for different types of paint
- Automated & manual painting options
- Special painting props for different component types

## CONTROLLER & SOFTWARE

- 19" rack cabinet chassis (customizable)
- Input / output channel number configured with respect to the customer needs: digital, analog, communication, counter etc.
- Configurable for different applications such as using pneumatic and hydraulic actuator, electromechanical and electric motor systems
- Sensor calibration menu
- Warning and alarm definitions
- Drag & drop feature on user interface
- Automatic test with configurable test steps
- Test scenarios via test file



for  
**AUTOMOTIVE  
DEFENCE  
RAILWAY  
industries**

**TAILORED FOR EXCELLENCE**